



# FOOD EQUIPMENT

## COUNTERTOP PIZZA OVENS - DOUBLE CHAMBER & SINGLE CHAMBER

Item: 39580 / 24210

Model: PE-CN-3200-D / PE-CN-1800-S

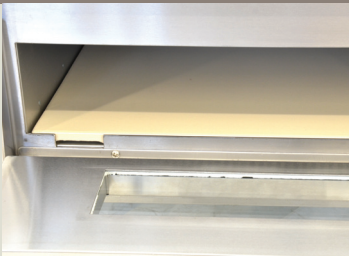
Interior Light



Control Switches



Ceramic Pizza Deck



Adjustable Legs



These ovens come with a removable half-inch thick ceramic pizza deck large enough to fit 18-inch pizzas or a variety of other food such as pies, breadsticks, and pretzels. The top and bottom heating elements each have a different on/off control switches for even heating. These countertop ovens also comes equipped with a manual 30-minute timer, interior light, and a viewing window. These units are also stackable and comes with 4-inch adjustable legs.



Authorized Dealer

# FOOD EQUIPMENT

## COUNTERTOP PIZZA OVENS - DOUBLE CHAMBER & SINGLE CHAMBER

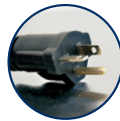
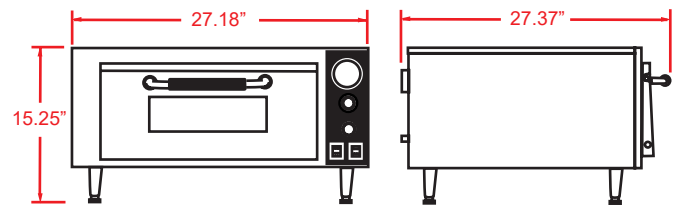
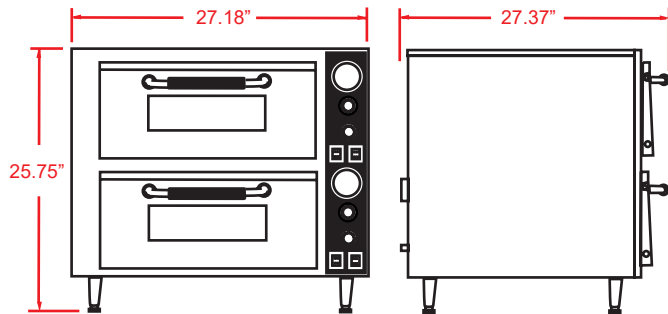


### FEATURES:

- Removable ceramic pizza deck
- Manual timer
- Body is made of stainless steel
- Interior light
- Independent Controls
- Stackable with adjustable legs



### DIMENSIONS & TECHNICAL SPECIFICATION



TECHNICAL SPECIFICATION	DOUBLE CHAMBER PIZZA OVEN	SINGLE CHAMBER PIZZA OVEN
ITEM NUMBER	39580	24210
MODEL	PE-CN-3200-D	PE-CN-1800-S
TEMPERATURE	350-750° F / 176.67 - 398.89° C	350-750° F / 176.67 - 398.89° C
ELECTRICAL	240V / 60 Hz	120V / 60 Hz
POWER	3200 Watts	1800 Watts
CHAMBER DIMENSIONS (LxDxH)	(18.11" x 18.11" x 3.93" ) x 2 (46 x 46 x 10 cm) x 2	18.11" x 18.11" x 3.93 46 x 46 x 10 cm
EXTERNAL DIMENSIONS (LxDxH)	27.18" x 27.37" x 25.75", 69 x 69.5 x 65.4 cm	27.18" x 27.37" x 15.25", 69 x 69.5 x 38.7 cm
PACKAGING DIMENSIONS (LxDxH)	34" x 33" x 32", 86 x 84 x 81 cm	34" x 33" x 19.5", 86 x 84 x 49.5 cm
WEIGHT	Net Weight: 73 kg / 160 lbs. Gross Weight: 90 kg / 198 lbs.	Net Weight: 40 kg / 88 lbs. Gross Weight: 62 kg / 136.4 lbs.

## OMCAN INC.

Telephone: 1-800-465-0234  
 Fax: (905) 607-0234  
 E-mail: sales@omcan.com  
 Website: www.omcan.com



Follow us to keep up to date with the latest news and offers

